



TAI-SAW TECHNOLOGY CO., LTD.

No. 3, Industrial 2nd Rd., Ping-Chen Industrial District,
Taoyuan, 324, Taiwan, R.O.C.

TEL: 886-3-4690038 FAX: 886-3-4697532

E-mail: tstsales@mail.taisaw.com Web: www.taisaw.com

Product Specifications Approval Sheet

Product Description: Crystal Unit 3.2x1.5 32.768KHz

TST Part No.: TZ1006A

Customer Part No.: _____

Customer signature required
Company: _____
Division: _____
Approved by : _____
Date: _____

Checked by: _____ Quinton Lo 

Approved by: _____ Kelly Huang 

Date: _____ 03/24/2010

1. Customer signed back is required before TST can proceed with sample build and receive orders.
2. Orders received without customer signed back will be regarded as agreement on the specifications.
3. Any specifications changes must be approved upon by both parties and a new revision of specifications shall be released to reflect the changes.



TAI-SAW TECHNOLOGY CO., LTD.
3.2x1.5 32.768KHz Crystal Unit

MODEL NO.: TZ1006A

REV. NO.: 5.0

Revise:

Rev.	Rev. Page	Rev. Account	Date	Ref. No.	Reviser
5.0	P.4	ECN.#201000116	03/24/10'	N/A	Quinton Lo



TAI-SAW TECHNOLOGY CO., LTD.

No. 3, Industrial 2nd Rd., Ping-Chen Industrial District,
Taoyuan, 324, Taiwan, R.O.C.

TEL: 886-3-4690038 FAX: 886-3-4697532

E-mail: tstsales@mail.taisaw.com Web: www.taisaw.com

SMD 3.2x1.5 32.768KHz Crystal Unit

MODEL NO.: TZ1006A

REV. NO.: 5

Features:

- Ceramic Seam Weld Package
- Excellent Reliability Performance
- Ultra Miniature Package
- Available to Surface Mount Technology and IR Reflow Process

RoHS Compliant
Lead free
Lead-free soldering

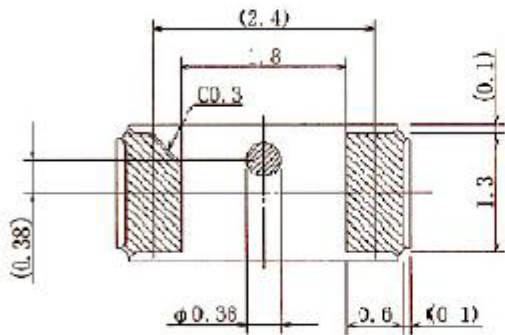
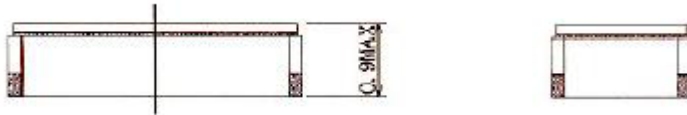
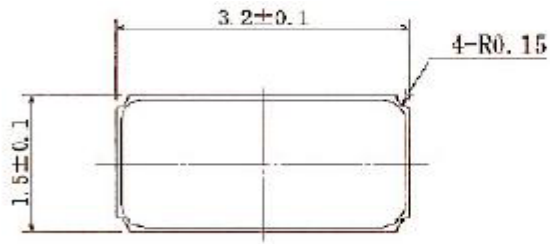
Description and Applications:

Surface mount 3.2mmx1.5mm crystal unit for use in communications devices,.

Electrical Specifications:

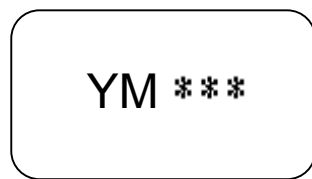
TZ1006A	Specification
Nominal Frequency	32.768 KHz
Operating Temperature Range	-40°C to +85°C
Turnover Temperature	25 +/- 5 °C
Parabolic Curvature Constant	-0.027 ppm / °C ² max.
Frequency Make Tolerance (FL)	+/-20 ppm @ 25°C +/- 2°C
Equivalent Series Resistor (ESR)	80 kΩ max.
Drive Level	1.0 uW max.
Load Capacitance (CL)	12.5 pF
Aging	+/-3.0 ppm/year @25°C
Marking	Laser marking
Insulation Resistance	500M Ω min at DC 100V

Mechanical Dimensions (mm):



Marking:

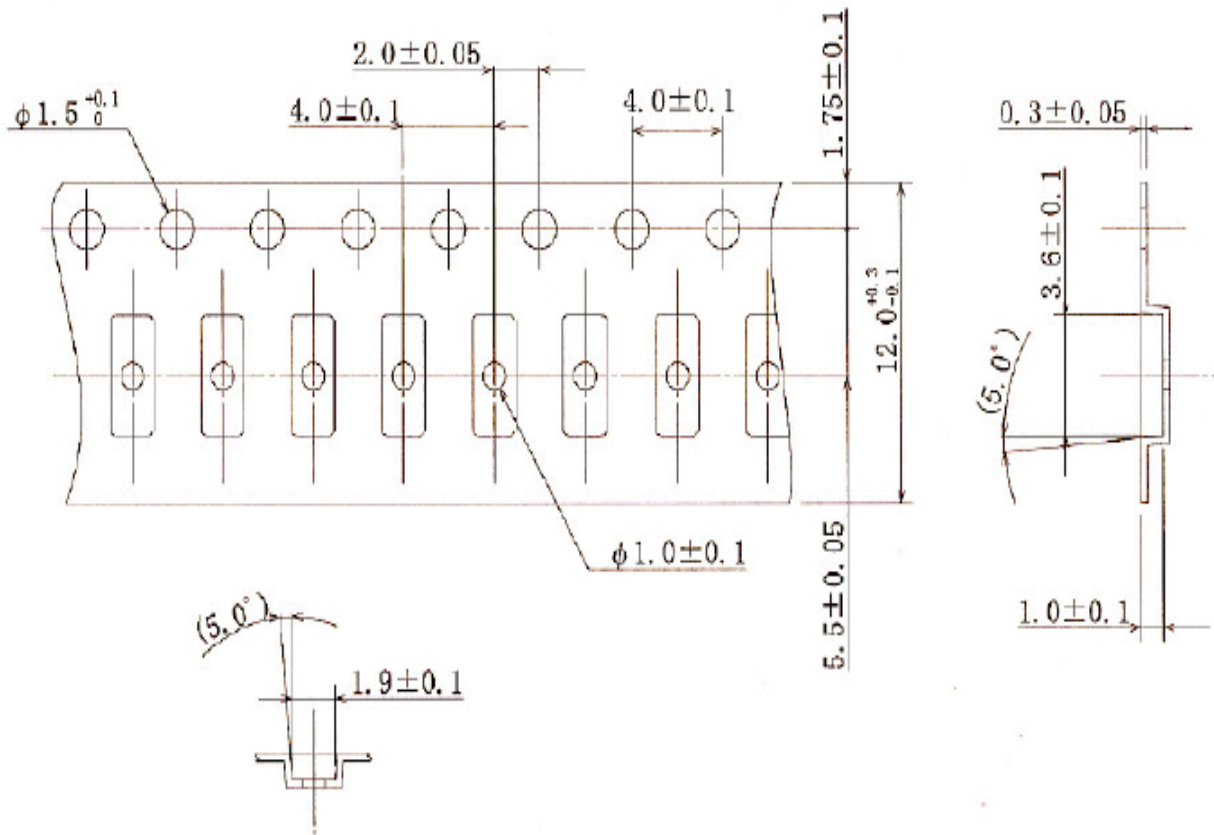
Y : the last digit of production year , M : production month (see the table below) , * * * is manufacture lot's code.



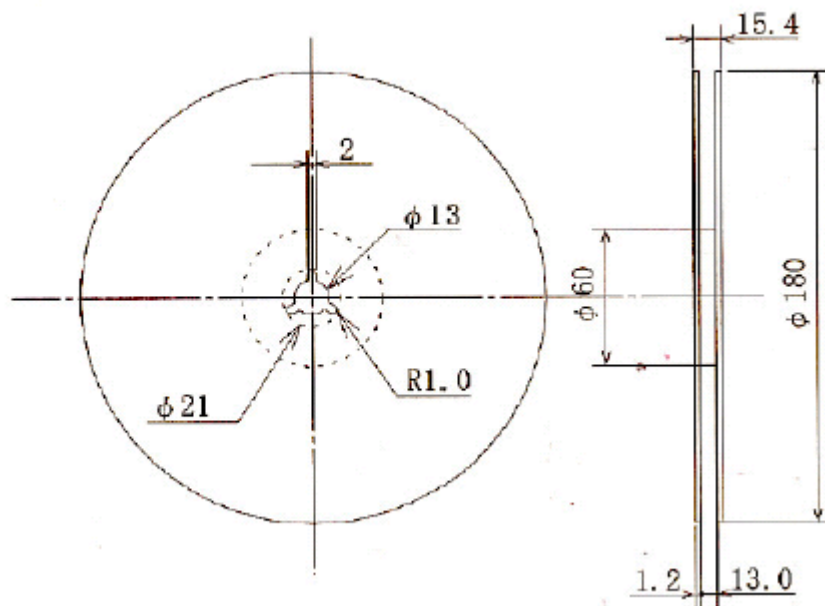
Month	Jan	Feb	Mar	Apr	May	Jun	July	Aug	Seo	Oct	Nov	Dec
Code	1	2	3	4	5	6	7	8	9	x	y	z

Tape / Reel and Packing:

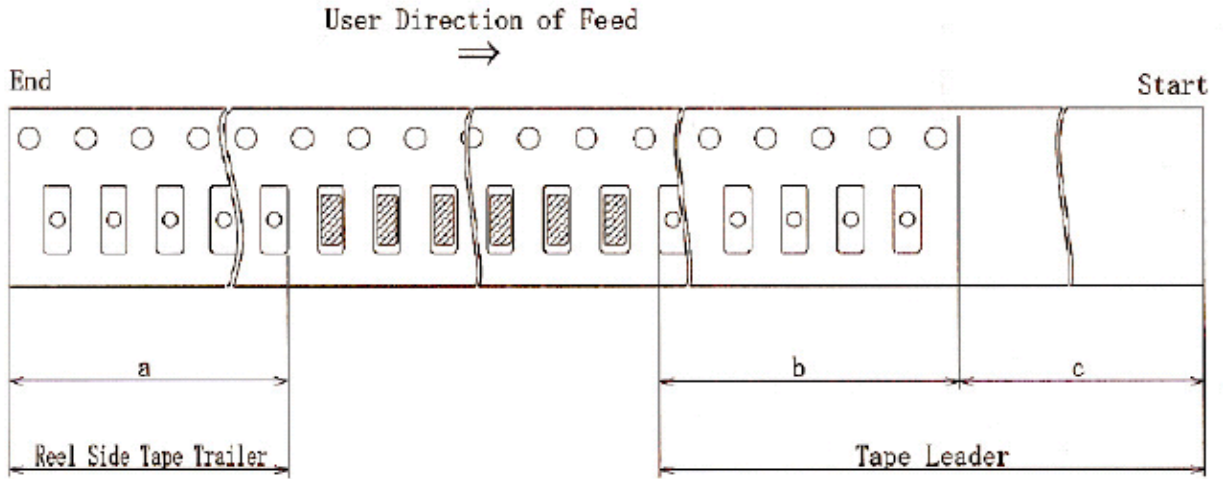
【Tape Dimensions】



【Reel Dimensions】



【Packing】



Tape Trailer

- a. Cover Tape 300mm or more
- Empty Pockets 40 pcs or more

Tape Leader

- b. Empty Pockets 27+/-2 pcs
- c. Cover Tape 240mm or more

Reflow Profile:

